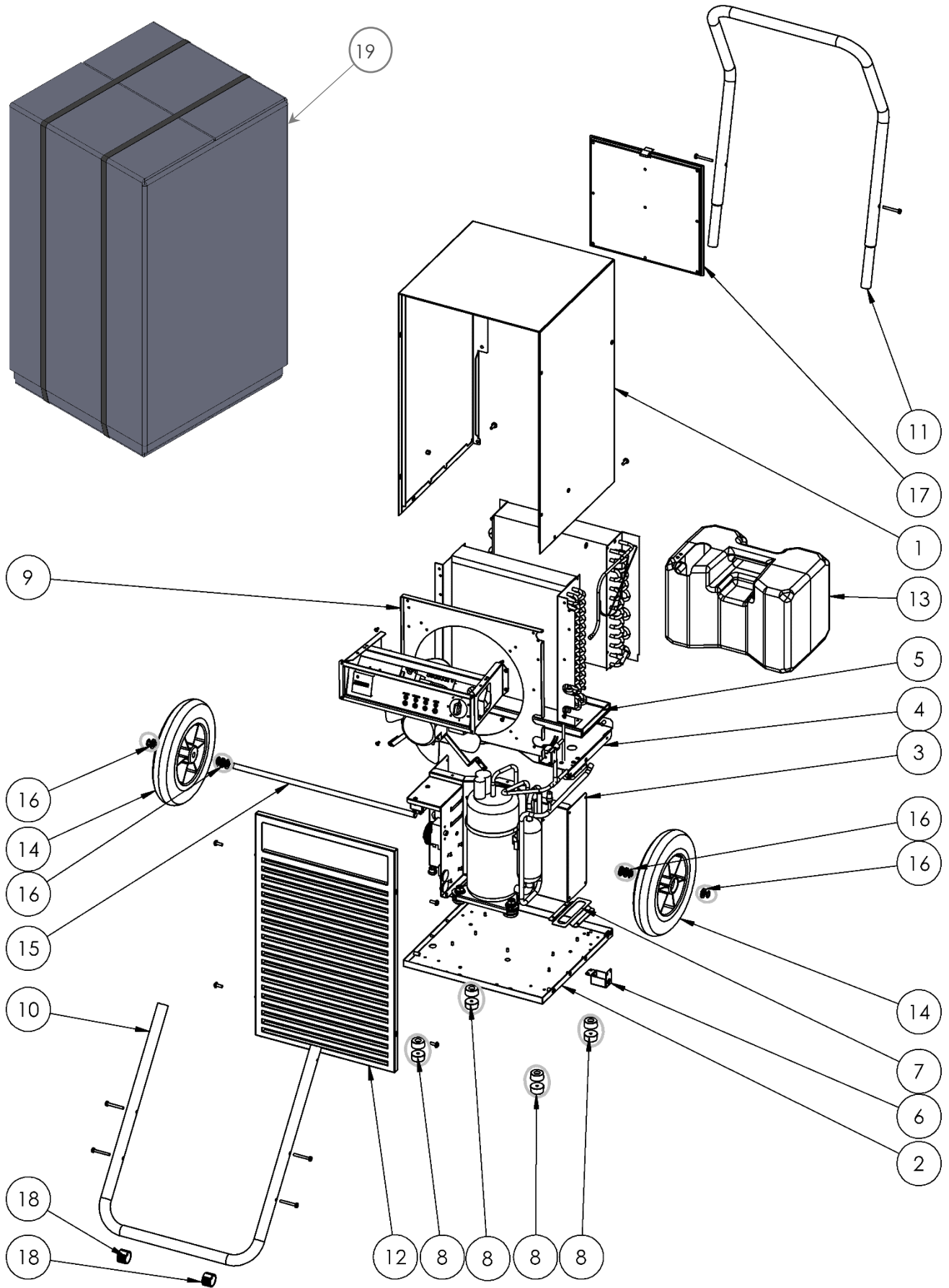


FAEP50.1001

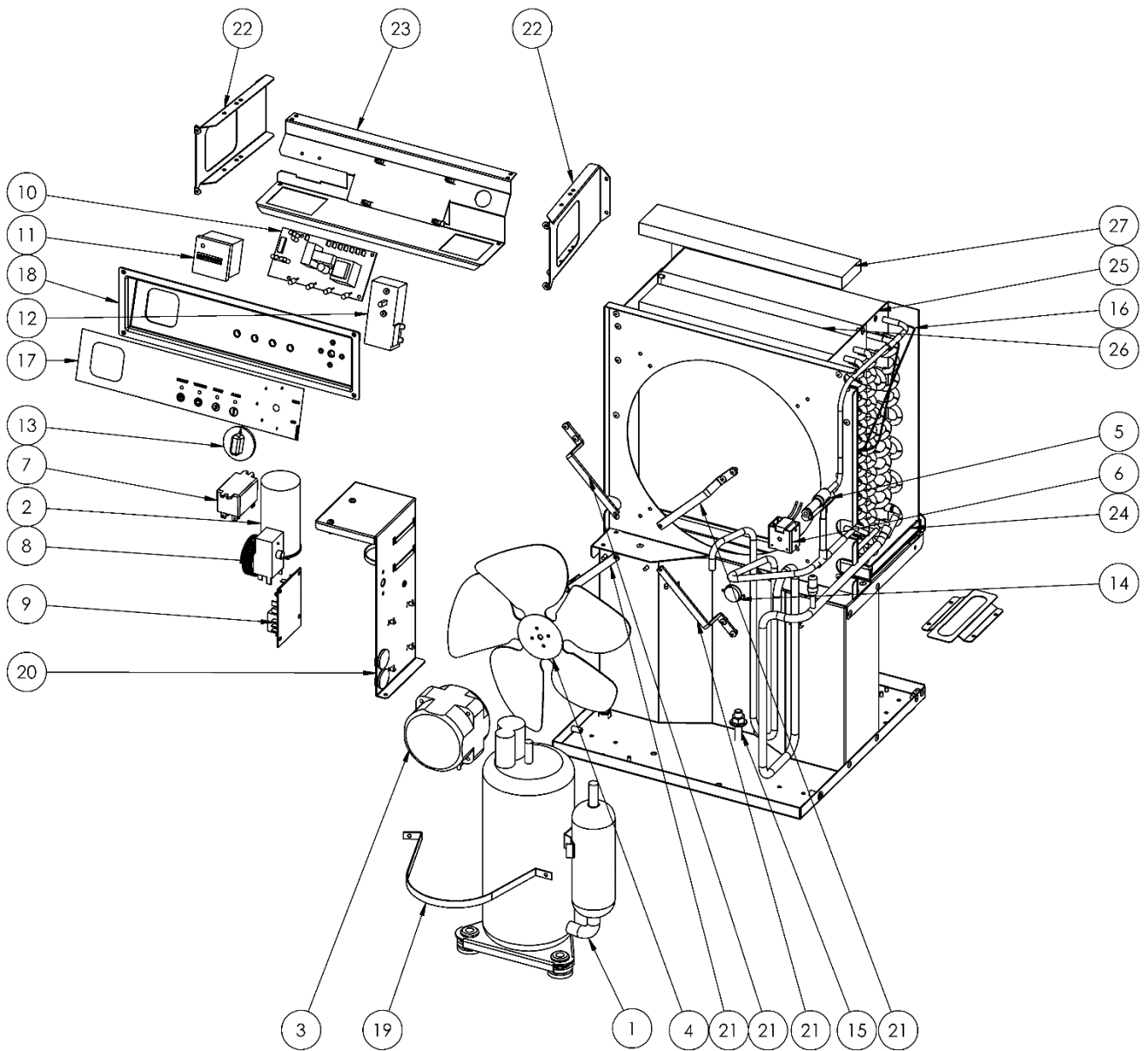


SPARE PART PRICE LIST

PART 1

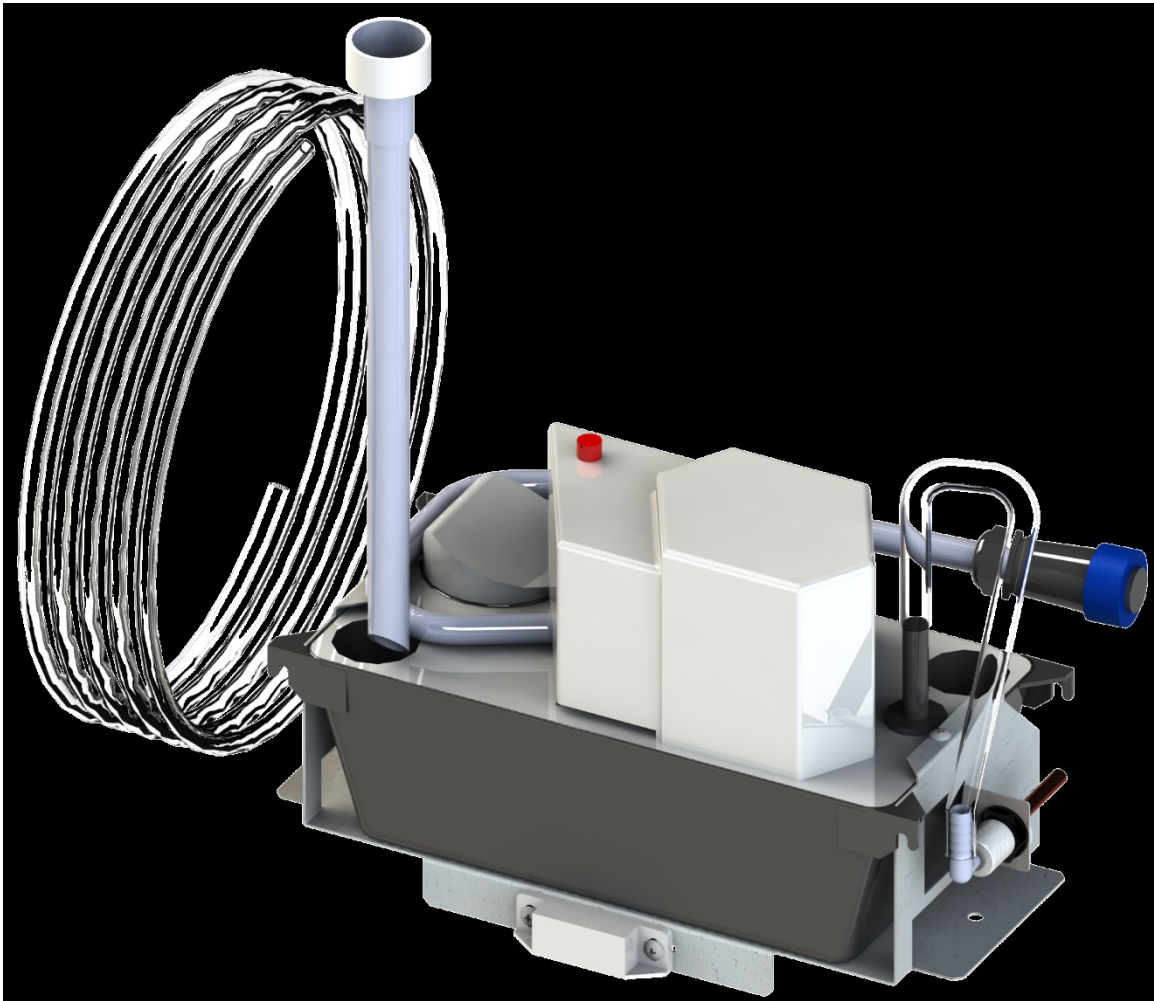


PART 1			
POSITION #	DESCRIZIONE	DESCRIPTION	COD. ACS
1	COPERTURA BUCC.NERO	COVER BLACK	ACS01.632
2	BASE	BOTTOM	ACS01.633
3	PANNELLO VERTICALE	VERTICAL PANEL	ACS01.634
4	PIANO INTERMEDIO	FIRST FLOOR	ACS01.635
5	VASCHETTA	TRAY	ACS01.627
6	SUPPORTO BARRA RUOTE	SUPPORT BAR WHEEL	ACS01.636
7	GUIDA TANICA	TANK GUIDE	ACS01.637
8	PIEDINO	BUMPERS	ACS01.595
9	CONVOGLIATORE VENT.	FAN CONVOYOR	ACS01.638
10	MANIGLIONE INFERIORE	HANDLE INF.	ACS01.639
11	MANIGLIONE SUPERIORE	HANDLE SUP.	ACS01.640
12	GRIGLIA FRONTALE	FRONTAL GRILLE	ACS01.641
13	TANICA	TANK COMPLETE	ACS01.642
14	RUOTA	WHEEL	ACS01.101
15	BARRA RUOTE	WHEEL BAR	ACS01.643
16	KIT PER RUOTE	KIT FOR WHEEL	ACS01.644
17	FILTRO ARIA	AIR FILTER	ACS01.020
18	PIEDE	FOOT	ACS01.111
19	KIT IMBALLO	KIT PACKAGING	ACS01.646



PART 2

PART 2			
POSITION #	DESCRIZIONE	DESCRIPTION	COD. ACS
1	COMPRESSORE	COMPRESSOR	ACS01.616
2	CONDENSATORE DI MARCIA	RUN CAPACITOR	ACS01.040
3	MOTORE VENTILATORE	MOTOR FAN	ACS01.539
4	PALA VENTILATORE	FAN	ACS01.069
5	ELETTRIVALVOLA	ELECTRIC VALVE	ACS01.617
6	BOBINA	ELECTRIC COIL	ACS01.618
7	RELE' DI POTENZA	POWER RELAY	ACS05.030
8	TERMOSTATO SBRINAMENTO	DEFROSTING THERMOSTAT	ACS02.002
9	SCHEDA ELETTRONICA	PCB DIGIT DELAY	ACS01.353
10	SCHEDA ELETTR. A SBRINAMENTO	DEFROSTING PCB	ACS01.004
11	CONTAORE	HOURLMETER	ACS01.018
12	DEUMIDOSTATO	DEUMIDOSTAT	ACS03.004
13	MANOPOLA	KNOB	ACS01.021
14	CONNETTORE FEMMINA 6 PIN	FEMALE CONNECTOR 6 PIN	ACS01.349
15	CHIODO FISS. COMPRESSORE	COMPRESSOR THREADED PIN	ACS01.630
16	FILTRO E CAPILLARI	FILTER+ CAPILLARY	ACS01.619
17	MASCHERINA	DISPLAY LABEL	ACS01.620
18	PANELLO COMANDI	COMAND PANEL	ACS01.621
19	TIRANTE COMPRESSORE	TIE FOR COMPRESSOR	ACS01.622
20	RIPARO ELETTRICO	ELECTRIC CABINET	ACS01.623
21	STAFFA VENTILATORE	FAN SUPPORT	ACS01.624
22	STAFFA FRONTALINO	FRONTAL SUPPORT	ACS01.625
23	SUPPORTO SCHEDA	SUPPORT PCB	ACS01.626
24	VASCHETTA	TRAY	ACS01.627
25	EVAPORATORE	EVAPORATOR	ACS01.628
26	CONDENSATORE	CONDENSER COIL	ACS01.629
27	PSE SUPERIORE	CLOSING COVER CONDENSATOR	ACS01.631



PART 3			
POSITION #	DESCRIZIONE	DESCRIPTION	COD. ACS
1	KIT POMPA CONDENZA FAEP50	KIT PUMP COMPLETE FAEP50	ACS01.649